



ENCORE FR PRO COLOR

User Manual

©2022 ADJ Products, LLC all rights reserved. Information, specifications, diagrams, images, and instructions herein are subject to change without notice. ADJ Products, LLC logo and identifying product names and numbers herein are trademarks of ADJ Products, LLC. Copyright protection claimed includes all forms and matters of copyrightable materials and information now allowed by statutory or judicial law or hereinafter granted. Product names used in this document may be trademarks or registered trademarks of their respective companies and are hereby acknowledged. All non-ADJ Products, LLC brands and product names are trademarks or registered trademarks of their respective companies.

ADJ Products, LLC and all affiliated companies hereby disclaim any and all liabilities for property, equipment, building, and electrical damages, injuries to any persons, and direct or indirect economic loss associated with the use or reliance of any information contained within this document, and/or as a result of the improper, unsafe, insufficient and negligent assembly, installation, rigging, and operation of this product.

ADJ PRODUCTS LLC World Headquarters

6122 S. Eastern Ave. | Los Angeles, CA 90040 USA

Tel: 800-322-6337 | Fax: 323-582-2941 | www.adj.com | lsupport@adj.com

ADJ Supply Europe B.V.

Junostraat 2 | 6468 EW Kerkrade | Netherlands

Tel: +31 45 546 85 00 | Fax: +31 45 546 85 99 | www.americandj.eu | service@americandj.eu

Europe Energy Saving Notice

Energy Saving Matters (EuP 2009/125/EC)

Saving electric energy is a key to help protecting the environment. Please turn off all electrical products when they are not in use. To avoid power consumption in idle mode, disconnect all electrical equipment from power when not in use. Thank you!

DOCUMENT VERSION



Due to additional product features and/or enhancements, an updated version of this document may be available online.

Please check www.adj.com for the latest revision/update of this manual before beginning installation and/or programming.

Date	Document Version	Software Version	DMX Channels	Notes
03/11/2022	1.0	1.02	14 / 17 / 19 / 13 CMY / 19 CMY channels	Initial Release.
03/18/2022	1.1	N/C	No Change	Updated Specifications.
06/10/2022	1.2	N/C	No Change	Updated Dimension Drawings

CONTENTS

Introduction	4
Limited Warranty (USA Only)	5
Warranty Registration Features	6
Safety Guidelines	7
Overview	8
Installation	9
Accessory Installation	13
Remote Device Management (RDM)	15
Control Panel	16
System Menu	17
DMX Setup	20
DMX Traits	22
Color Temperature Presets	27
Virtual Colors	28
Color Macros Chart	29
Dimmer Modes	30
Daisy Chain Power Linking Cleaning and Maintenance	31
Specifications	32
Dimension Drawings	33

INFORMATION

INTRODUCTION

Please read and understand the instructions in this manual carefully and thoroughly before attempting to operate this device. These instructions contain important safety and use information.

This product is intended for use by professionally trained personnel only, and is not suitable for private use.

Unpacking

Every device has been thoroughly tested and has been shipped in perfect operating condition. Carefully check the shipping carton for damage that may have occurred during shipping. If the carton is damaged, carefully inspect the device for damage, and be sure all accessories necessary to install and operate the device have arrived intact. In the event damage has been found or parts are missing, please contact our customer support team for further instructions. Please do not return this device to your dealer without first contacting customer support. Please do not discard the shipping carton in the trash. Please recycle whenever possible.

Parts: To purchase parts online visit:

<http://parts.adj.com> (US)

<http://www.adjparts.eu> (EU)

ADJ SERVICE USA - Monday - Friday 8:00am to 4:30pm PST

Voice: 800-322-6337 | Fax: 323-582-2941 | support@adj.com

ADJ SERVICE EUROPE - Monday - Friday 08:30 to 17:00 CET

Voice: +31 45 546 85 60 | Fax: +31 45 546 85 96 | support@adj.eu

ADJ PRODUCTS LLC USA

6122 S. Eastern Ave. Los Angeles, CA. 90040

323-582-2650 | Fax 323-532-2941 | www.adj.com | info@adj.com

ADJ SUPPLY Europe B.V

Junostraat 2 6468 EW Kerkrade, The Netherlands

+31 (0)45 546 85 00 | Fax +31 45 546 85 99

www.americandj.eu | info@americandj.eu

ADJ PRODUCTS GROUP Mexico

AV Santa Ana 30 Parque Industrial Lerma, Lerma, Mexico 52000

+52 (728) 282-7070

Warning! This unit is intended for indoor use only! Do not expose to rain or moisture!

CAUTION! There are no user serviceable parts inside this unit. Do not attempt any repairs yourself, as doing so will void your manufacturer's warranty. In the unlikely event your unit may require service, please contact ADJ Products, LLC.

Do not discard the shipping cartoon in the trash. Please recycle when ever possible.

LIMITED WARRANTY (USA ONLY)

- A. ADJ Products, LLC hereby warrants, to the original purchaser, ADJ Products, LLC products to be free of manufacturing defects in material and workmanship for a prescribed period from the date of purchase (see specific warranty period on reverse). This warranty shall be valid only if the product is purchased within the United States of America, including possessions and territories. It is the owner's responsibility to establish the date and place of purchase by acceptable evidence, at the time service is sought.
- B. For warranty service, you must obtain a Return Authorization number (RA#) before sending back the product-please contact ADJ Products, LLC Service Department at 800-322-6337. Send the product only to the ADJ Products, LLC factory. All shipping charges must be pre-paid. If the requested repairs or service (including parts replacement) are within the terms of this warranty, ADJ Products, LLC will pay return shipping charges only to a designated point within the United States. If the entire instrument is sent, it must be shipped in its original package. No accessories should be shipped with the product. If any accessories are shipped with the product, ADJ Products, LLC shall have no liability whatsoever for loss of or damage to any such accessories, or for the safe return thereof.
- C. This warranty is void if the serial number has been altered or removed; if the product is modified in any manner which ADJ Products, LLC concludes, after inspection, affects the reliability of the product, if the product has been repaired or service by anyone other than ADJ Products, LLC factory unless prior written authorization was issued to purchaser by ADJ Products, LLC; if the product is damaged because not properly maintained as set forth in the instruction manual.
- D. This is not a service contract, and this warranty does not include maintenance, cleaning or periodic check up. During the period specified above, ADJ Products, LLC will replace defective parts at its expense with new or refurbished parts, and will absorb all expenses for warranty service and repair labor by reason of defects in material or workmanship. The sole responsibility of ADJ Products, LLC under this warranty shall be limited to the repair of the product, or replacement thereof, including parts, at the sole discretion of ADJ Products, LLC. All products covered by this warranty were manufactured after August 15, 2012, and bear identifying marks to that effect.
- E. ADJ Products, LLC reserves the right to make changes in design and/or improvements upon its products without any obligation to include these changes in any products theretofore manufactured.
- F. No warranty, whether expressed or implied, is given or made with respect to any accessory supplied with products described above. Except to the extent prohibited by applicable law, all implied warranties made by ADJ Products, LLC in connection with this product, including warranties of merchantability or fitness, are limited in duration to the warranty period set forth above. And no warranties, whether expressed or implied, including warranties of merchantability or fitness, shall apply to this product after said period has expired. The consumer's and/or Dealer's sole remedy shall be such repair or replacement as is expressly provided above; and under no circumstances shall ADJ Products, LLC be liable for any loss or damage, direct or consequential, arising out of the use of, or inability to use, this product.
- G. This warranty is the only written warranty applicable to ADJ Products, LLC Products and supersedes all prior warranties and written descriptions of warranty terms and conditions heretofore published.

LIMITED WARRANTY PERIODS

- **Non L.E.D. Lighting Products = 1-year (365 days) Limited Warranty** (Such as: Special Effect Lighting, Intelligent Lighting, UV lighting, Strobes, Fog Machines, Bubble Machines, Mirror Balls, Par Cans, Trussing, Lighting Stands etc. excluding LED and lamps)
- **Laser Products = 1 Year (365 Days) Limited Warranty** (excludes laser diodes which have 6 month limited warranty)
- **L.E.D. Products = 2-year (730 days) Limited Warranty** (excluding batteries which have a 180 day limited warranty)
Note: 2 Year Warranty only applies to purchases within the United States.
- **StarTec Series = 1 Year Limited Warranty** (excluding batteries which have a 180 day limited warranty)
- **ADJ DMX Controllers = 2 Year (730 Days) Limited Warranty**

WARRANTY REGISTRATION

The Encore FR Pro Color carries a 2 year limited warranty. Please fill out the enclosed warranty card to validate your purchase. All returned service items, whether under warranty or not, must be freight pre-paid and accompanied by a return authorization (R.A.) number. The R.A. number must be clearly written on the outside of the return package. A brief description of the problem as well as the R.A. number must also be written down on a piece of paper included in the shipping carton. If the unit is under warranty, you must provide a copy of your proof of purchase invoice. You may obtain an R.A. number by contacting our customer support team on our customer support number. All packages returned to the service department not displaying an R.A. number on the outside of the package will be returned to the shipper.

FEATURES

The ADJ Encore FR Pro Color is a professional grade Fresnel fixture with a 7-inch lens powered by a 400W 6-IN-1 LED engine with red, green, blue, amber, lime and cyan LEDs. It offers a full spectrum of colors with CMY Color Mixing DMX modes, and tunable white color temperatures from 2400K to 8500K.

INCLUDED ITEMS

- Gel Frame (x1)
- Locking Power Cable (x1)

IP RATING

An IP rated lighting fixture has been designed with an enclosure that effectively protects the ingress (entry) of external foreign objects such as dust and/or water. The Ingress Protection (IP) rating system is commonly expressed as “IP” followed by two numbers (i.e. IP20), where the numbers define the degree of protection. The first digit (Foreign Bodies Protection) indicates the extent of protection against particles entering the fixture and the second digit (Water Protection) indicates the extent of protection against water entering the fixture.

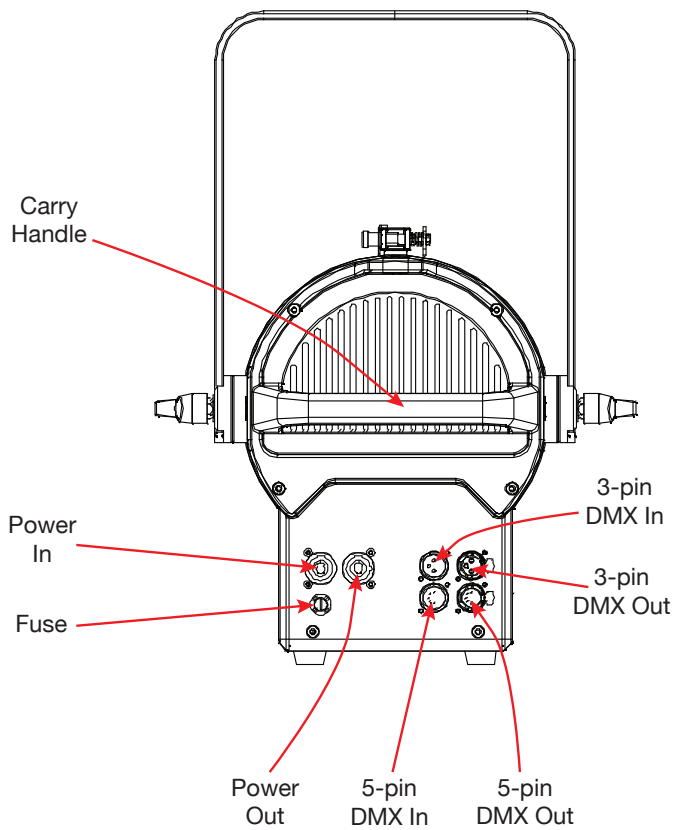
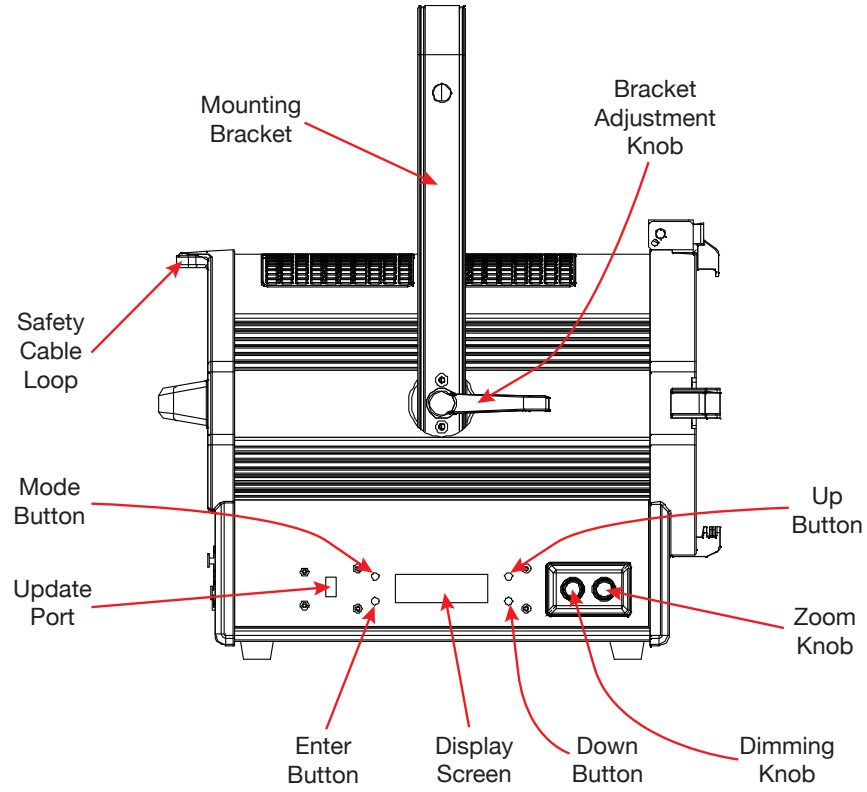
An IP20 rated lighting fixture, such as this one, has been designed and tested to protect against the ingress of solids as small as the size of an adult finger (approximately 12.5mm), but is NOT protected against liquid intrusion of any kind.

SAFETY GUIDELINES

THIS FIXTURE IS COMPOSED OF SOPHISTICATED ELECTRONIC COMPONENTS. TO GUARANTEE SMOOTH OPERATION, IT IS IMPORTANT TO FOLLOW ALL INSTRUCTIONS AND GUIDELINES IN THIS MANUAL. ADJ PRODUCTS, LLC IS NOT RESPONSIBLE FOR INJURY AND/OR DAMAGES RESULTING FROM THE MISUSE OF THIS FIXTURE DUE TO THE DISREGARD OF THE INFORMATION PRINTED IN THIS MANUAL. ONLY QUALIFIED AND/OR CERTIFIED PERSONNEL SHOULD PERFORM INSTALLATION OF THIS FIXTURE AND ONLY THE ORIGINAL RIGGING PARTS INCLUDED WITH THIS FIXTURE SHOULD BE USED FOR INSTALLATION. ANY MODIFICATIONS TO THE FIXTURE AND/OR THE INCLUDED MOUNTING HARDWARE WILL VOID THE ORIGINAL MANUFACTURER'S WARRANTY AND INCREASE THE RISK OF DAMAGE AND/OR PERSONAL INJURY. ONLY CERTIFIED PERSONNEL SHOULD PERFORM INSTALLATION OF THIS FIXTURE.

- PROTECTION CLASS 1 - FIXTURE MUST BE PROPERLY GROUNDED.
- THERE ARE NO USER SERVICEABLE PARTS INSIDE THIS UNIT.
- DO NOT ATTEMPT ANY REPAIRS YOURSELF; DOING SO WILL VOID YOUR MANUFACTURER'S WARRANTY. DAMAGES RESULTING FROM MODIFICATIONS TO THIS FIXTURE AND/OR THE DISREGARD OF SAFETY INSTRUCTIONS AND GUIDELINES IN THIS MANUAL VOID THE MANUFACTURER'S WARRANTY AND ARE NOT SUBJECT TO ANY WARRANTY CLAIMS AND/OR REPAIRS.
- DO NOT PLUG FIXTURE INTO A DIMMER PACK!
- NEVER OPEN THIS FIXTURE WHILE IN USE!
- UNPLUG POWER BEFORE SERVICING FIXTURE!
- NEVER TOUCH FIXTURE DURING OPERATION, AS IT MAY BE HOT!
- KEEP FLAMMABLE MATERIALS AWAY FROM FIXTURE!
- NEVER LOOK DIRECTLY INTO THE LIGHT SOURCE!
- RETINA INJURY RISK - MAY INDUCE BLINDNESS!
- SENSITIVE PERSONS MAY SUFFER AN EPILEPTIC SHOCK!
- MINIMUM DISTANCE TO OBJECTS/SURFACES IS 6.6 FEET (2 METERS)
- **AMBIENT OPERATING TEMPERATURE RANGE IS 5° F TO 113° F (-15°C TO 45°C). DO NOT OPERATE THE DEVICE WHEN AMBIENT TEMPERATURE IS OUTSIDE OF THIS RANGE.**
- **MINIMUM DISTANCE TO FLAMMABLE MATERIALS FROM THE SURFACE IS 1.6 FEET (0.5 METER).**
- DO NOT TOUCH the fixture housing during operation. Turn OFF the power and allow approximately 60 minutes for the fixture to cool down before servicing.
- DO NOT shake fixture, and avoid brute force when installing and/or operating fixture.
- DO NOT operate fixture if the power cord is frayed, crimped, damaged and/or if any of the power cord connectors are damaged and do not insert into the fixture securely with ease. NEVER force a power cord connector into the fixture. If the power cord or any of its connectors are damaged, replace it immediately with a new one of the same power rating.
- DO NOT block any air ventilation slots. All fan and air inlets must remain clean and never blocked. Allow approx. 6" (15cm) between fixture and other devices or a wall for proper cooling.
- When installing fixture in a suspended environment, always use mounting hardware that is no less than M10 x 25 mm, and always install fixture with an appropriately rated safety cable.
- Always disconnect fixture from main power source before performing any type of service and/or cleaning procedure.
- Only handle the power cord by the plug end. Never pull out the plug by tugging the wire portion of the cord.
- During the initial operation of this fixture, a light smoke or smell may emit from the interior of the fixture. This is a normal process and is caused by excess paint in the interior of the casing burning off from the heat associated with the lamp and will decrease gradually over time.
- Consistent operational breaks will ensure fixture will function properly for many years.
- ONLY use original packaging and materials to transport the fixture for service.

OVERVIEW



INSTALLATION



FLAMMABLE MATERIAL WARNING

Keep fixture minimum 5.0 feet (1.5m) away from flammable materials and/or pyrotechnics.



ELECTRICAL CONNECTIONS

A qualified electrician should be used for all electrical connections and/or installations.



MINIMUM DISTANCE TO OBJECTS/SURFACES IS 6.6 FEET (2 METERS).

MINIMUM DISTANCE OF FLAMMABLE MATERIALS FROM THE SURFACE IS 1.6 FEET (0.5 METER)

DO NOT INSTALL THE FIXTURE IF YOU ARE NOT QUALIFIED TO DO SO!

- Fixture **MUST** be installed following all local, national, and country commercial electrical and construction codes and regulations.
- Before rigging/mounting a single fixture or multiple fixtures to any metal truss/structure or placing the fixture(s) on any surface, a professional equipment installer **MUST** be consulted to determine if the metal truss/structure or surface is properly certified to safely hold the combined weight of the fixture(s), clamps, cables, and accessories.
- Ambient operating temperature range is **5° F to 113°F (-15°C to 45°C)**. Do not use operate the fixture when ambient temperature is outside of this range!
- Fixture(s) should be installed outside walking paths, seating areas, or areas were unauthorized personnel might reach the fixture by hand.
- **NEVER** stand directly below the fixture(s) when rigging, removing, or servicing.
- Overhead fixture installation must always be secured with a secondary safety attachment, such as an appropriately rated safety cable.
- Allow approximately 60 minutes for the fixture to cool down before servicing.

INDOOR USE ONLY!

This device is not intended for outdoor usage, or exposure to rain or moisture! Use of this device outdoors voids your manufacturer's warranty!

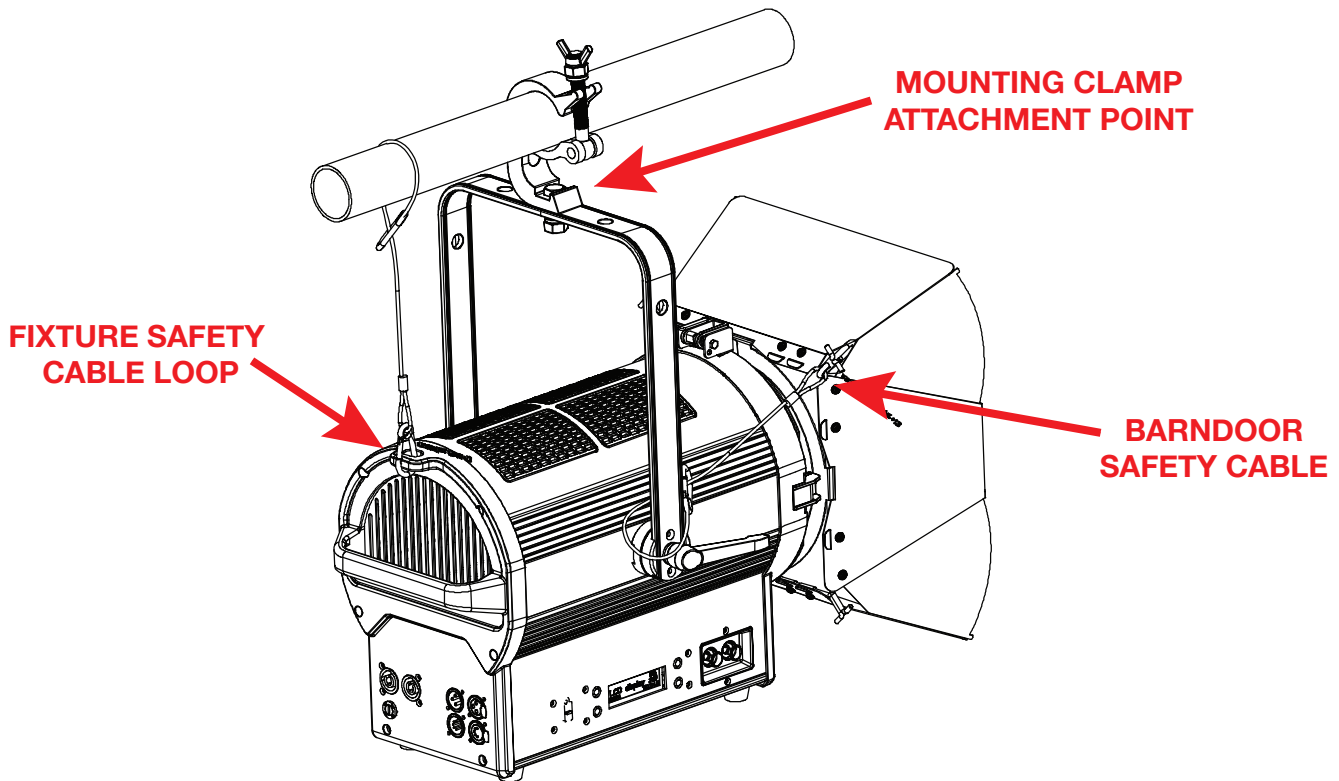
RIGGING

Overhead rigging requires extensive experience, including calculating working load limits, knowledge about installation materials being used, and periodic safety inspection of all installation material and the fixture, among other skills. If you lack these qualifications, do not attempt the installation yourself. Improper installation can result in bodily injury.

INSTALLATION

CLAMP INSTALLATION

This fixture features an attachment point for a mounting clamp located at the top the mounting bracket. There is also a loop for the attachment of a safety cable located on the rear of the fixture, just above the carrying handle (see the illustration below). When mounting the fixture to a truss or any other suspended or overhead installation, be sure to secure an appropriately rated clamp (not included) to the mounting bracket, and attach a separate **SAFETY CABLE** of the appropriate weight rating to the safety cable loop. **Please note that when the available barndoor is fitted, the barndoor must be secured with its own separate safety cable.**

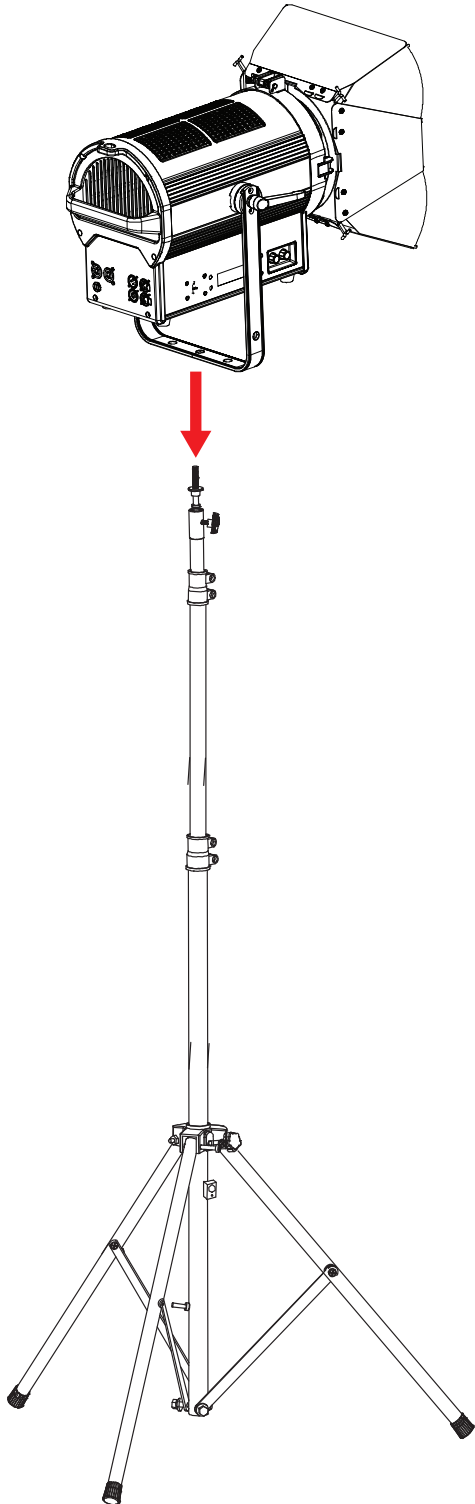


SAFETY CABLE:
ALWAYS ATTACH A SAFETY CABLE WHENEVER INSTALLING THIS FIXTURE IN A SUSPENDED ENVIRONMENT TO ENSURE THAT THE FIXTURE WILL NOT FALL IF THE CLAMP FAILS.

INSTALLATION

STAND MOUNTING

This unit can also be installed atop a tripod stand. Simply insert the threaded bolt on the top of the tripod stand through the hole in the top of the mounting yoke. Tighten the nut onto the threaded bolt to secure the mounted device in place.



CAUTION!

MAKE SURE THAT THE TRIPOD LEGS AND ALL TELESCOPING ELEMENTS OF THE TRIPOD STAND ARE LOCKED IN PLACE BEFORE INSTALLING THE DEVICE ATOP THE STAND!

POSITION THE TRIPOD STAND AND MOUNTED DEVICE ONLY ON FLAT, STABLE SURFACES! DEPLOY TRIPOD LEGS FULLY IN ORDER TO MAXIMIZE STABILITY!

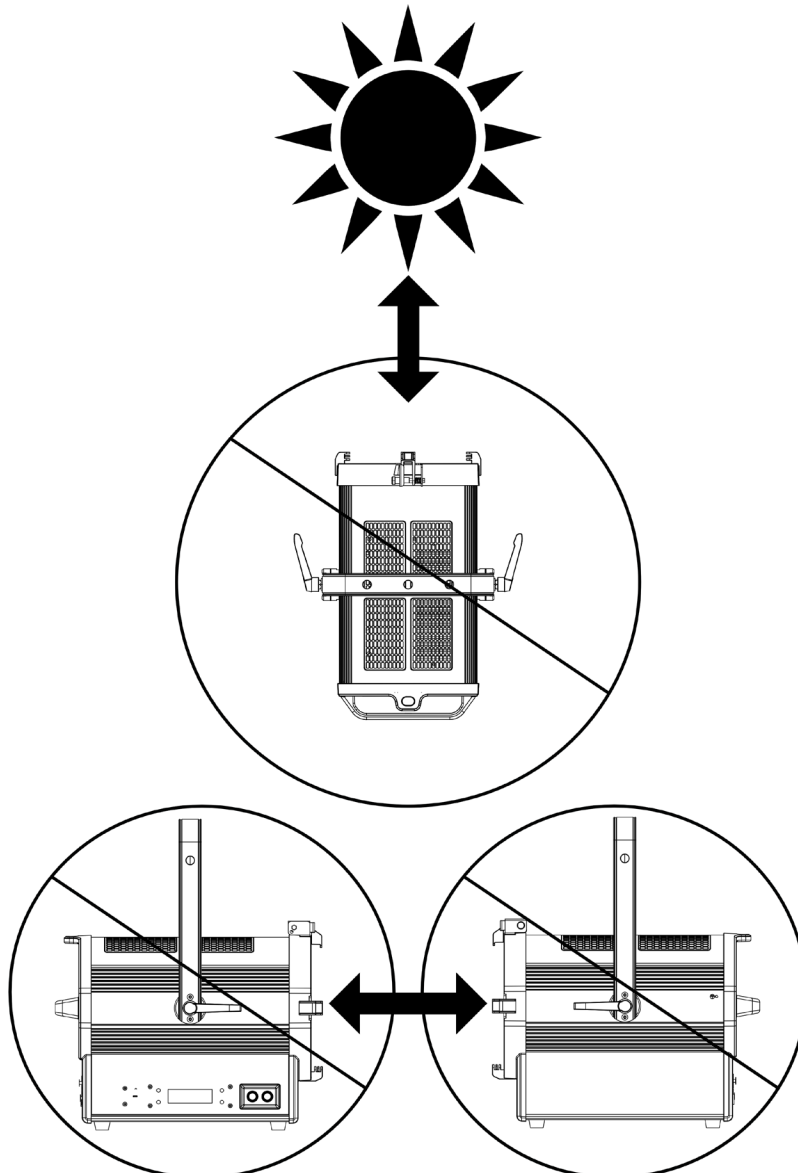
INSTALLATION

POTENTIAL INTERNAL FIXTURE DAMAGE FROM EXTERNAL SOURCES OF LIGHT BEAMS

External sources of light beams from direct sunlight, lighting moving head fixtures, and lasers which are focused directly towards the exterior housing and/or penetrate the front lens opening of ADJ lighting fixtures can cause severe internal damage, including burning of optics, dichroic color filters, glass and metal gobos, prisms, animation wheels, frost filters, irises, shutters, motors, belts, wiring, discharge lamps, and LEDs.

This issue is not unique to ADJ lighting fixtures, but rather it is a common issue with lighting fixtures from all manufacturers. Although there is no true way to completely prevent this issue from occurring, the guidelines below can reduce the risk of any potential damage if followed. Contact ADJ Service for more details.

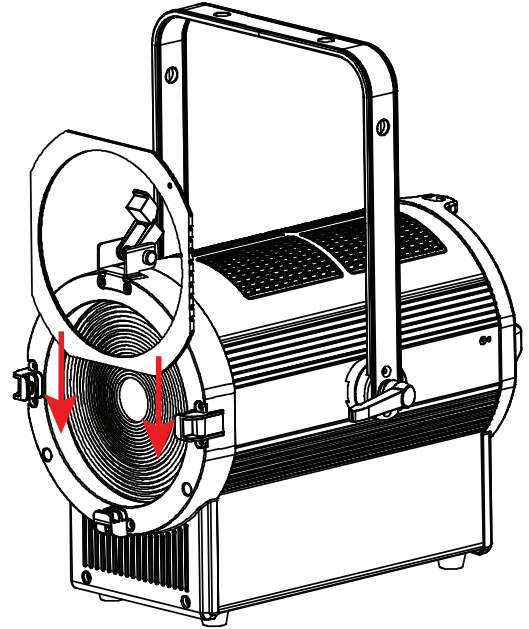
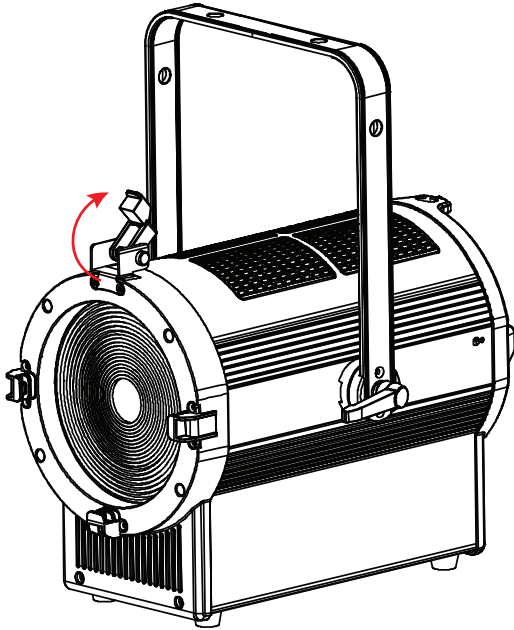
DO NOT EXPOSE THE FIXTURE AND/OR FRONT LENS OPENING TO LIGHT BEAMS FROM DIRECT SUNLIGHT, OTHER LIGHTING OR MOVING HEAD FIXTURES, AND LASERS DURING UNPACKING, INSTALLATION, USE, AND EXTENDED IDLE TIMES OUTDOORS. DO NOT FOCUS A LIGHT BEAM FROM ONE LIGHTING FIXTURE DIRECTLY TOWARDS ANOTHER.



ACCESSORY INSTALLATION

GEL FRAME

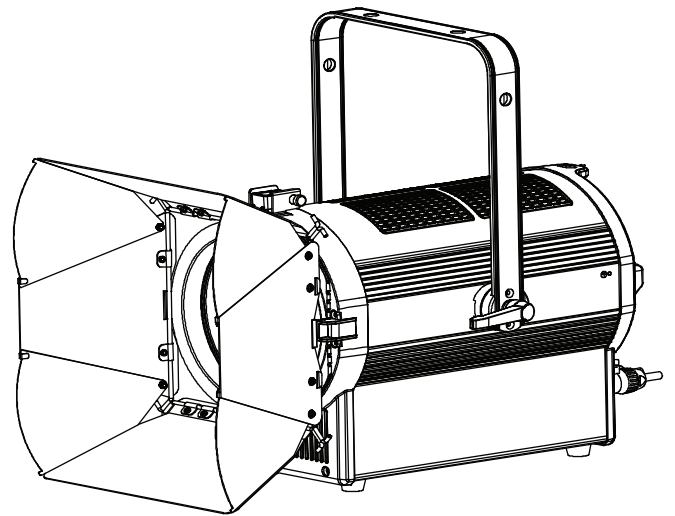
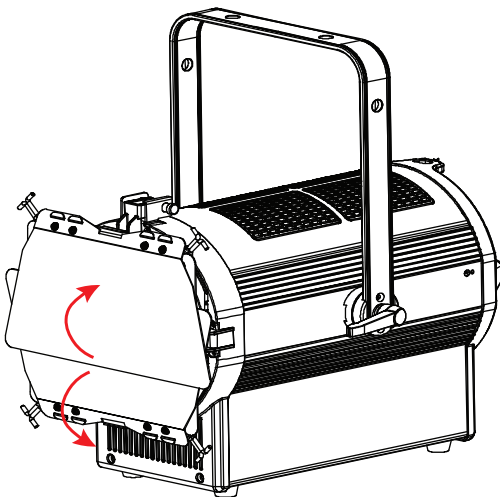
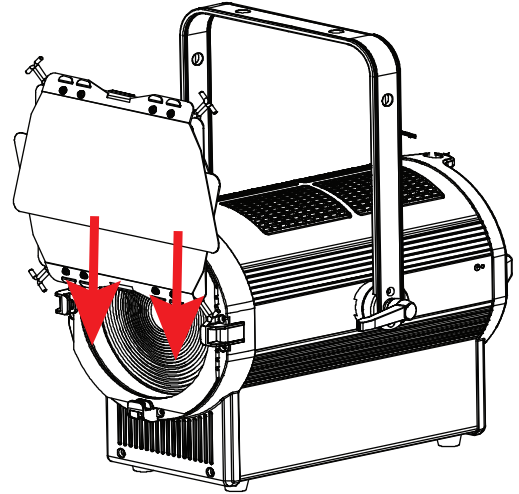
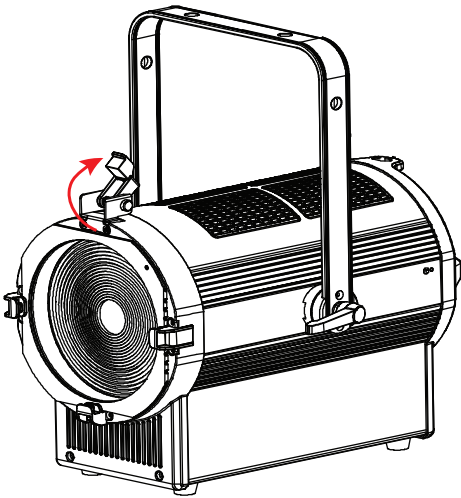
In order to install the included gel frame, locate the latch on the top of the lens frame. Press and hold the button on the side of the latch to unlock it, then open the latch by swinging it upward. Slide the gel frame into place in the slot in front of the lens, then close the latch to secure the gel frame in place.



ACCESSORY INSTALLATION

BARNDOOR

In order to install the optional barndoor, locate the latch at the top of the lens frame. Press and hold the button on the side of the latch to unlock it, then swing the latch upward. Slide the barndoor into place in front of the lens. If the included gel frame has already been installed, make sure to install the barndoor in front of the gel frame as well. Flip the latch back down to secure the barndoor in place, then open the barndoor panels by pulling them outward. **Please note that when the barndoor has been fitted, it must be secured with a separate safety cable!**



REMOTE DEVICE MANAGEMENT (RDM)

NOTE: In order for RDM to work properly, RDM enabled equipment must be used throughout the entire system, including DMX data splitters and wireless systems.

Remote Device Management (RDM) is a protocol that sits on top of the DMX512 data standard for lighting, allowing the DMX systems of the fixtures to be modified and monitored remotely. This protocol is ideal for instances in which a unit is installed in a location that is not easily accessible.

With RDM, the DMX512 system becomes bi-directional, allowing a compatible RDM enabled controller to send out a signal to devices on the wire, as well as allowing the fixture to respond (known as a GET command). The controller can then use its SET command to modify settings that would typically have to be changed or viewed directly via the unit's display screen, including the DMX Address, DMX Channel Mode, and Temperature Sensors.

Please be aware that **not all RDM devices support all RDM features**, and therefore it is important to check beforehand to ensure that the equipment that you are considering includes all of the features that you require.

The following parameters are accessible in RDM on this device:

Proxied Device Count	Device Power Cycles
Sensor Definition	Display Invert
Sensor Value	Display Level
Device Model Description	Realtime Clock
Manufacturer Label	Power State
Device Label	Preset Playback
DMX Personality	Default Slot Value
DMX Personality Description	Language
Device Hours	Language Capabilites
Comms Status	Boot Software Version Label
Status ID Description	Boot Software Version ID
Clear Status ID	Product Detail ID List
Lamp Hours	Status Messages

CONTROL PANEL

The fixture includes an easy to navigate system menu control panel display where all necessary settings and adjustments are made. (See image below)

- **MODE:** Cycles through the main menu options and/or return to previous menu without making changes.
- **DOWN/UP:** Scroll through options in the selected menu.
- **ENTER:** Select highlighted option and/or confirm selection.



ENCODER KNOBS

The control panel features two encoder knobs to the right of the Up/Down buttons. The dimming knob is used to manually adjust the brightness of the fixture, while the zoom knob is used to manually zoom in and out. Press each knob to activate manual adjustment, twist clockwise to increase, and twist counter-clockwise to decrease. **Please note that these knobs will NOT function when DMX is connected and active.**

DISPLAY SCREEN LOCK

When the Display Lock setting is set to 1~10min, the display screen will automatically lock if there is no activity for the specified length of time. To unlock the display screen, simply press and hold the MODE button for 3 seconds. Alternately, when the Display Lock setting is set to OFF, the display screen will never automatically lock. However, it can still be manually locked by pressing and holding the MODE button for 2 seconds. To unlock, press and hold the MODE button for 3 seconds.

KEY LOCK

This device features a key lock feature designed to prevent accidental key presses. The selectable settings are as follows:

- OFF: Keys are not locked (default).
- ON: Keys are locked, and can be unlocked by pressing and holding the Mode button for 10 seconds.
- ON1: Keys are locked, and required a passcode to unlock the device. To unlock, press the Mode button so that "LOCKED *****" is displayed on the screen, then press UP DOWN UP DOWN ENTER in that order.

SYSTEM MENU

DMX SET	Address	001 - XXX		Set DMX address
	DMX Channel Mode	Basic 14ch		Select DMX channel mode
		Standard 17ch		
		Extended 19ch		
		CMY St. 13ch		
		CMY Ext. 19ch		
	No DMX Status	Hold Last		Hold last settings before DMX signal was lost
Fade to Black		Blackout fixture in the event that DMX signal is lost		
Manual		Revert to manual mode settings in the event that DMX signal is lost		
PERSONALITY	Primary	Off / On		
	Secondary	Off / On		
	Fan Settings	Auto		
		High		
		Low		
	Dim Modes	Standard		
		Stage		
		TV		
		Architectural		
		Theatre		
		Stage 2		
		Dim Speed	0.1s - 10.0s	
	LED Refresh Rate	900-1500 Hz, 2500 Hz, 4000 Hz, 5000 Hz, 6000 Hz, 10 KHz, 15 KHz, 20 KHz, 25 KHz		Default = 1200 Hz
	Dim Curve	Square		
		Linear		
		Inv. Squa.		
		S. Curve		
	Zoom Speed	Slow / Fast		
	Reset Motors	Zoom Reset	Yes / No	
	Display	Intensity	1 - 10	
Display Invert		Yes / No		Invert screen display
Screen Saver Delay		Off - 10 min		Default = 5 min
Key Lock		OFF		Keys not locked
		ON		Keys locked
	ON1		Keys locked, unlock w/ code	
CONTINUED ON NEXT PAGE				

SYSTEM MENU

PERSONALITY (continued)	Service	Passcode = 050	Effect Adjust (Calibration)	Zoom 000 - 255	
			USB Port Power	Off / On	
			Update Software	Off / On	
			Factory Restore Passcode = 011	Off / On	Returns fixture to factory default settings
MANUAL CONTROL	Red	000 - 255			
	Green	000 - 255			
	Blue	000 - 255			
	Amber	000 - 255			
			
	Color Temp Presets	2400K - 8500K		Default = 2700K	
	Virtual Colors	Swatch Book	Virtual Colors 1-60		
		Color Scroll	CW, Speed 1-22		
		Color C-Scroll	CCW, Speed 1-22		
		Random Slots	Fast		
	Medium				
	Slow				
	Color Macros	000 - 255			
Shutter	000 - 255				
Dimmer	000 - 255				
Zoom	000 - 255				
INFORMATION	Fixture Life Time	Power On Time	xxxxxx Hours	Total fixture power on time, non-resettable	
		P-On Time-R	xxxxxx Hours	Fixture power on time since last reset, resettable	
		P-On Time-Reset	Passcode = 050	Reset power on time	
	Total LED Time	LED On Time	xxxxxx Hours	Total LED on time, non- resettable	
		LED On Tme-R	xxxxxx Hours	LED on time since last reset, resettable	
		LED Hours Reset	Passcode = 050	Reset LED time	

CONTINUED ON NEXT PAGE

SYSTEM MENU

INFORMATION (continued)	Fixture Temps	LEDs	Current	xxx F / xxx C	Current LED temp	
			Max Resettable	xxx F / xxx C	Max LED temp since last reset, resettable	
			Max Not Resettable	xxx F / xxx C	Max lifetime LED temp, not resettable	
		Reset LED Temp	Yes / No	Passcode = 050		
		Reset Base Temp	Yes / No	Passcode = 050		
	Fan Info (RPM)	LED Fan	xxxx RPM			
	DMX Values	Red				Display current DMX value of each setting
		Green				
		...				
		Zoom				
	Product ID	RDM UID				
	Error Logs	Error List (one by one)				
		Reset Error Log	Yes / No	Passcode = 050		
	Software Version	x.xx				

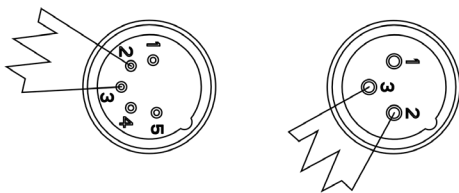
DMX SETUP

DMX-512: DMX is short for Digital Multiplex. This is a universal protocol used as a form of communication between intelligent fixtures and controllers. A DMX controller sends DMX data instructions from the controller to the fixture. DMX data is sent as serial data that travels from fixture to fixture via the DATA “IN” and DATA “OUT” XLR terminals located on all DMX fixtures (most controllers only have a DATA “OUT” terminal).

DMX Linking: DMX is a language allowing all makes and models of different manufacturers to be linked together and operate from a single controller, as long as all fixtures and the controller are DMX compliant. To ensure proper DMX data transmission, try to use the shortest cable path possible when using several DMX fixtures. The order in which fixtures are connected in a DMX line does not influence the DMX addressing. For example, a fixture assigned a DMX address of 1 may be placed anywhere in a DMX line: at the beginning, at the end, or anywhere in the middle. When a fixture is assigned a DMX address of 1, the DMX controller knows to send DATA assigned to address 1 to that unit, no matter where it is located in the DMX chain.

Data Cable (DMX Cable) Requirements (For DMX Operation):The Encore FR Pro Color can be controlled via DMX-512 protocol, and features multiple DMX channel modes. Your unit and your DMX controller can operate with either a 3-pin or 5-pin XLR connector for data input and data output. If you are making your own cables, be sure to use standard 110-120 Ohm shielded cable (This cable may be purchased at almost all professional lighting stores). Your cables should be made with a male XLR connector at one end and a female XLR connector at the other. Also remember that DMX cable must be daisy chained and cannot be split.

Special Note: Line Termination. When longer runs of cable are used, you may need to use a terminator on the last unit to avoid erratic behavior. A terminator is a 110-120 ohm 1/4 watt resistor which is connected between pins 2 and 3 of a male XLR connector (DATA + and DATA -). This unit is inserted in the female XLR connector of the last unit in your daisy chain to terminate the line. Using a cable terminator (ADJ part number Z-DMX/T) will decrease the chances of erratic behavior.



A DMX512 terminator reduces signal errors, avoiding most signal reflection interference. Connect PIN 2 (DMX-) and PIN 3 (DMX+) of the last fixture in series with a 120 Ohm, 1/4 W Resistor to terminate the DMX512.

DMX SETUP

DMX ADDRESSING

All fixtures should be given a DMX starting address when operating with a DMX controller, in order to ensure that the correct fixture responds to the correct control signal. This digital starting address is the channel number from which the fixture starts to “listen” to the digital control signal sent out from the DMX controller. The starting DMX address is configured by setting the correct DMX address on the control panel display on the fixture.

You can set the same starting address for multiple fixtures, or set different addresses for each individual fixture. Setting multiple fixtures to the same DMX address will cause all those fixtures to react in the same way. In this case, please note that changing the settings of one channel will affect all the fixtures simultaneously.

If you set each fixture to a different DMX address, each unit will start to “listen” to the channel number you have set, based on the quantity of DMX channels of each fixture. That means changing the settings of one channel will only affect the selected fixture.

As an example, when operating this device in 14 channel mode, you should set the starting DMX address of the first unit to 1, the second unit to 15 (1 + 14), the third unit to 29 (1 + 14 + 14), and so on. (See the chart below for more details.)

Channel Mode	Unit 1 Address	Unit 2 Address	Unit 3 Address	Unit 4 Address
14-channel	1	15	29	43
17-channel	1	18	35	52
19-channel (Ext. / CMY Ext.)	1	20	39	58
13-channel	1	14	27	40

DMX TRAITS

CHANNEL					DMX VALUE	FUNCTION
14CH BASIC	17CH STD	19CH EXT	13CH STD CMY	19CH EXT CMY		
1	1	1			000 - 255	Red , 0% to 100%
2	2	2			000 - 255	Green , 0% to 100%
3	3	3			000 - 255	Blue , 0% to 100%
4	4	4			000 - 255	Amber , 0% to 100%
5	5	5			000 - 255	Cyan , 0% to 100%
6	6	6			000 - 255	Lime , 0% to 100%
			1	1	000 - 255	Cyan (CMY) , 0% to 100%
				2	000 - 255	Cyan Fine
			2	3	000 - 255	Magenta , 0% to 100%
				4	000 - 255	Magenta Fine
			3	5	000 - 255	Yellow , 0% to 100%
				6	000 - 255	Yellow Fine
7	7	7	4	7	000 - 255	Color Temperature , Linear 2400K - 8500K
						Color Temperature Presets
8	8	8	5	8	000 - 023	No Function
					024 - 085	2400 - 8500K, see Color Temperature Presets section of this manual
					086 - 255	8500K
						Color Wheel
					000	Open
					001 - 060	Virtual Swatch Colors (see Virtual Colors section of this manual)
					061 - 179	Open
					180 - 201	Clockwise Color Scroll, fast to slow
					202 - 207	Stop
					208 - 229	Counter-Clockwise Color Scroll, slow to fast
					230 - 234	Open
					235 - 239	Random Slots Fast
					240 - 244	Random Slots Medium
					245 - 249	Random Slots Slow
					250 - 255	Open
						Color Temperature Red to Green
	10	10	7	10	000	No function
					001 - 255	Shift CT Red to Green

DMX TRAITS

CHANNEL					DMX VALUES	FUNCTION
14CH BASIC	17CH STD	19CH EXT	13CH STD CMY	19CH EXT CMY		
10	11	11		11	000 - 255	Color Macros , see Color Macros Chart section of this manual
11	12	12	8	12		Shutter
					000 - 031	LEDs Off
					032 - 063	LEDs On
					064 - 095	Strobe Effect, slow to fast
					096 - 127	LEDs On
					128 - 159	Pulse Effect in Sequences
					160 - 191	LEDs On
					192 - 223	Random Strobe Effect, slow to fast
					224 - 255	LEDs On
12	13	13	9	13	000 - 255	Dimmer Intensity , 0% to 100%
	14	14		14	000 - 255	Dimmer Fine
13	15	15	10	15	000 - 255	Zoom , wide to narrow
		16		16	000 - 255	Zoom Fine
16	17	17	11	17		Dim Modes
					000 - 020	Default to unit setting
					021 - 040	Standard
					041 - 060	Stage
					061 - 080	TV
					081 - 100	Architectural
					101 - 120	Theatre
					121 - 140	Stage 2
						Dimming Speed
					141	0.1 s
					142	0.2 s
					143	0.3 s
					144	0.4 s
					145	0.5 s
					146	0.6 s
					147	0.7 s
					148	0.8 s
					149	0.9 s
150	1.0 s					
151	1.5 s					

DMX TRAITS

CHANNEL					DMX VALUES	FUNCTION
14CH BASIC	17CH STD	19CH EXT	13CH STD CMY	19CH EXT CMY		
16	17	11	17	<i>Dimming Speed (continued)</i>		
				152	2.0 s	
				153	3.0 s	
				154	4.0 s	
				155	5.0 s	
				156	6.0 s	
				157	7.0 s	
				158	8.0 s	
				159	9.0 s	
				160	10.0 s	
				161 - 255	Default to unit setting	
18	12	18	<i>Dim Curves</i>			
			000 - 020	Square		
			021 - 040	Linear		
			041 - 060	Inv. Squa.		
			061 - 080	S. Curve		
			081 - 255	No function		
14	17	19	13	<i>Special Functions</i>		
				000 - 010	Default LED Refresh Rate (1200 Hz)	
				011	900 Hz	
				012	910 Hz	
				013	920 Hz	
				014	930 Hz	
				015	940 Hz	
				016	950 Hz	
				017	960 Hz	
				018	970 Hz	
				019	980 Hz	
				020	990 Hz	
				021	1000 Hz	
				022	1010 Hz	
				023	1020 Hz	
				024	1030 Hz	
				025	1040 Hz	
026	1050 Hz					

DMX TRAITS

CHANNEL					DMX VALUES	FUNCTION
14CH BASIC	17CH STD	19CH EXT	13CH STD CMY	19CH EXT CMY		
14	17	19	13	19		<i>Special Functions (continued)</i>
					027	1060 Hz
					028	1070 Hz
					029	1080 Hz
					030	1090 Hz
					031	1100 Hz
					032	1110 Hz
					033	1120 Hz
					034	1130 Hz
					035	1140 Hz
					036	1150 Hz
					037	1160 Hz
					038	1170 Hz
					039	1180 Hz
					040	1190 Hz
					041	1210 Hz
					042	1220 Hz
					043	1230 Hz
					044	1240 Hz
					045	1250 Hz
					046	1260 Hz
					047	1270 Hz
					048	1280 Hz
					049	1290 Hz
					050	1300 Hz
					051	1310 Hz
					052	1320 Hz
					053	1330 Hz
					054	1340 Hz
					055	1350 Hz
					056	1360 Hz
					057	1370 Hz
					058	1380 Hz
					059	1390 Hz
060	1400 Hz					

DMX TRAITS

CHANNEL					DMX VALUES	FUNCTION
14CH BASIC	17CH STD	19CH EXT	13CH STD CMY	19CH EXT CMY		
14	17	19	13	19		Special Functions (continued)
					061	1410 Hz
					062	1420 Hz
					063	1430 Hz
					064	1440 Hz
					065	1450 Hz
					066	1460 Hz
					067	1470 Hz
					068	1480 Hz
					069	1490 Hz
					070	1500 Hz
					071	2500 Hz
					072	4000 Hz
					073	5000 Hz
					074	6000 Hz
					075	10 KHz
					076	15 KHz
					077	20 KHz
					078	25 KHz
					079	Disable LED Refresh Rate
					080 - 089	Zoom Reset
					090 - 099	No function
					100 - 105	Fan Mode Low
					106 - 111	Fan Mode High
					112 - 117	Fan Mode Auto
118 - 255	No function					

COLOR TEMPERATURE PRESETS

DMX VALUE	COLOR TEMPERATURE (K)	DMX VALUE	COLOR TEMPERATURE (K)
24	2400	55	5500
25	2500	56	5600
26	2600	57	5700
27	2700	58	5800
28	2800	59	5900
29	2900	60	6000
30	3000	61	6100
31	3100	62	6200
32	3200	63	6300
33	3300	64	6400
34	3400	65	6500
35	3500	66	6600
36	3600	67	6700
37	3700	68	6800
38	3800	69	6900
39	3900	70	7000
40	4000	71	7100
41	4100	72	7200
42	4200	73	7300
43	4300	74	7400
44	4400	75	7500
45	4500	76	7600
46	4600	77	7700
47	4700	78	7800
48	4800	79	7900
49	4900	80	8000
50	5000	81	8100
51	5100	82	8200
52	5200	83	8300
53	5300	84	8400
54	5400	85	8500

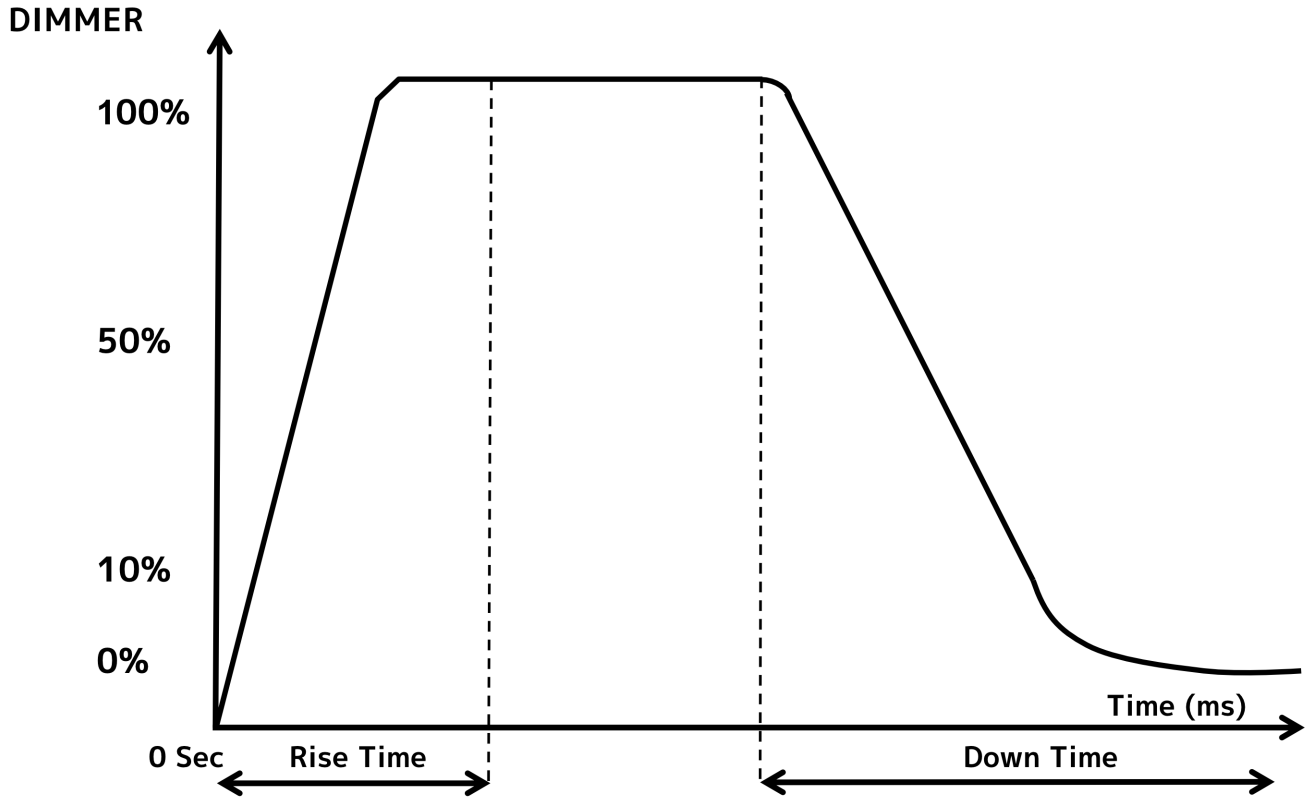
VIRTUAL COLORS

VALUE	FILTER #	COLOR	VALUE	FILTER #	COLOR
1	7	pale yellow	31	126	Mauve
2	103	straw	32	49	Medium Purple
3	151	gold tint	33	58	Lavender
4	100	spring yellow	34	199	Palace Blue
5	10	medium yellow	35	119	Dark Blue
6	101	yellow	36	132	Medium Blue
7	104	deep amber	37	120	Deep Blue
8	15	deep straw	38	165	Daylight Blue
9	179	loving amber	39	161	Slate Blue
10	21	gold amber	40	118	Light Blue
11	105	orange	41	68	Sky Blue
12	158	deep orange	42	143	Pale Navy Blue
13	22	dark amber	43	131	Marine Blue
14	778	millennium gold	44	115	Peacock Blue
15	135	deep golden amber	45	172	Lagoon Blue
16	24	scarlet	46	116	Medium Blue Green
17	106	primary red	47	90	Dark Yellow Green
18	26	bright red	48	139	Primary Green
19	27	medium red	49	122	Fern Green
20	19	fire	50	89	Moss Green
21	157	pink	51	124	Dark Green
22	36	medium pink	52	88	Lime Green
23	111	dark pink	53	138	Pale Green
24	128	bright pink	54	203	Quarter CT Blue
25	148	bright rose	55	202	Half CT Blue
26	332	special rose pink	56	201	FULL CT Blue
27	793	vanity fair	57	200	Double CT Blue
28	113	Magenta	58	206	Quarter CT Orange
29	46	Dark Magenta	59	205	Half CT Orange
30	48	Rose Purple	60	204	FULL CT Orange

COLOR MACRO CHART

Color	DMX Value	RGBW COLOR INTENSITY				Color	DMX Value	RGBW COLOR INTENSITY			
		RED	GREEN	BLUE	W/A			RED	GREEN	BLUE	WHITE
Off	0	0	0	0	0	Color Macro 33	129-132	255	206	143	0
Color Macro 1	1-4	80	255	234	80	Color Macro 34	133-136	254	177	153	0
Color Macro 2	5-8	80	255	164	80	Color Macro 35	137-140	254	192	138	0
Color Macro 3	9-12	77	255	112	77	Color Macro 36	141-144	254	165	98	0
Color Macro 4	13-16	117	255	83	83	Color Macro 37	145-148	254	121	0	0
Color Macro 5	17-20	160	255	77	77	Color Macro 38	149-152	176	17	0	0
Color Macro 6	21-24	223	255	83	83	Color Macro 39	153-156	96	0	11	0
Color Macro 7	25-28	255	243	77	77	Color Macro 40	157-160	234	139	171	0
Color Macro 8	29-32	255	200	74	74	Color Macro 41	161-164	224	5	97	0
Color Macro 9	33-36	255	166	77	77	Color Macro 42	165-168	175	77	173	0
Color Macro 10	37-40	255	125	74	74	Color Macro 43	169-172	119	130	199	0
Color Macro 11	41-44	255	97	77	71	Color Macro 44	173-176	147	164	212	0
Color Macro 12	45-48	255	74	77	71	Color Macro 45	177-180	88	2	163	0
Color Macro 13	49-52	255	83	134	83	Color Macro 46	181-184	0	38	86	0
Color Macro 14	53-56	255	93	182	93	Color Macro 47	185-188	0	142	208	0
Color Macro 15	57-60	255	96	236	96	Color Macro 48	189-192	52	148	209	0
Color Macro 16	61-64	238	93	255	93	Color Macro 49	193-196	1	134	204	0
Color Macro 17	65-68	163	87	255	87	Color Macro 50	197-200	0	145	212	0
Color Macro 18	69-72	150	90	255	90	Color Macro 51	201-204	0	121	192	0
Color Macro 19	73-76	100	77	255	77	Color Macro 52	205-208	0	129	184	0
Color Macro 20	77-80	77	100	255	77	Color Macro 53	209-212	0	83	115	0
Color Macro 21	81-84	67	148	255	67	Color Macro 54	213-216	0	97	166	0
Color Macro 22	85-88	77	195	255	77	Color Macro 55	217-220	1	100	167	0
Color Macro 23	89-92	77	234	255	77	Color Macro 56	221-224	0	40	86	0
Color Macro 24	93-96	158	255	144	144	Color Macro 57	225-228	209	219	182	0
Color Macro 25	97-100	255	251	153	153	Color Macro 58	229-232	42	165	85	0
Color Macro 26	101-104	255	175	147	147	Color Macro 59	233-236	0	46	35	0
Color Macro 27	105-108	255	138	186	138	Color Macro 60	237-240	8	107	222	0
Color Macro 28	109-112	255	147	251	147	Color Macro 61	241-244	255	0	0	0
Color Macro 29	113-116	151	135	255	138	Color Macro 62	245-248	0	255	0	0
Color Macro 30	117-120	99	0	255	100	Color Macro 63	249-252	0	0	255	0
Color Macro 31	121-124	138	169	255	138	Color Macro 64	253-255	0	0	0	255
Color Macro 32	128-128	255	255	255	255						

DIMMER MODES



Dimming Curve Ramp Effect	0 sec Fade Time		1 sec Fade Time	
	Rise Time (ms)	Down Time (ms)	Rise Time (ms)	Down Time (ms)
Standard (default)	0	0	0	0
Stage	780	1100	1540	1660
TV	1180	1520	1860	1940
Architectural	1380	1730	2040	2120
Theatre	1580	1940	2230	2280

DAISY CHAIN POWER LINKING

These units have the capability to be daisy chained together via the power in/out ports.

The maximum number of units that can be linked together in this manner is as follows:

- **2 units maximum when running on 110V power.**
- **5 units maximum when running on 240V power.**

DO NOT EXCEED THE NUMBER OF UNITS LISTED ABOVE.

DO NOT MIX MAKE AND MODEL TYPES WHEN DAISY CHAINING! All units that are connected in this manner must be of the same make and model type.

CLEANING AND MAINTENANCE

DISCONNECT POWER BEFORE PERFORMING ANY MAINTENANCE!

CLEANING

Frequent cleaning is recommended to ensure proper function, optimized light output, and an extended life. The frequency of cleaning depends on the environment in which the fixture operates: damp, smoky, or particularly dirty environments can cause greater accumulation of dirt on the fixture's optics. Clean the external lens surface periodically with a soft cloth to avoid dirt/debris accumulation.

NEVER use alcohol, solvents, or ammonia-based cleaners.

MAINTENANCE

Regular inspections are recommended to ensure proper function and extended life. There are no user serviceable parts inside this fixture. Please refer all other service issues to an authorized ADJ service technician. Should you need any spare parts, please order genuine parts from your local ADJ dealer.

Please refer to the following points during routine inspections:

- A detailed electrical check by an approved electrical engineer every three months, to make sure the circuit contacts are in good condition and prevent overheating.
- Be sure all screws and fasteners are securely tightened at all times. Loose screws may fall out during normal operation, resulting in damage or injury as larger parts could fall.
- Check for any deformations on the housing, color lenses, rigging hardware, and rigging points (ceiling, suspension, trussing). Deformations in the housing could allow for dust or liquids to enter into the fixture. Damaged rigging points or unsecured rigging could cause fixture to fall and seriously injure a person(s).
- Electric power supply cables must not show any damage, material fatigue, or sediments.

NEVER remove the ground prong from the power cable.

SPECIFICATIONS

SOURCE

400W 6-IN-1 LED (Red, Green, Blue, Amber, Lime and Cyan)
50,000 Hour Average LED Life*

*May vary depending on several factors including but not limited to:
Environmental Conditions, Power/Voltage, Usage Patterns (On-Off Cycling), Control and Dimming.

PHOTOMETRIC DATA

9237 Total Lumen Output (Full ON, Zoomed Out to Full)
23,179 LUX 2,153 FC @6.6' (2m) (Zoomed In / Full ON)
2,860 LUX 266 FC @6.6' (2m) (Zoom Out / Full ON)
Beam Angle: 9° to 37°
Max Field Angle: 49.9°
Color Temperature: Tunable, 2400K to 8500K
CRI: 94+

EFFECTS

Motorized Zoom
Electronic Dimmer and Strobe (1-20Hz)
Variable 16-bit Dimming Modes and Curves
Virtual CMY Color Mixing DMX Control Modes
Tunable White Color Temperature from 2400K to 8500K
62 Preset White Color Temp Macros (2400K to 8500K)
60 Preset Colors on Virtual Color Wheel
64 Preset RGBA Color Macros

CONTROL / CONNECTIONS

Manual and DMX Controlled Dimmer and Shutter
Dimmer and Zoom Rotary Dials
(5) DMX Channel Modes (14 / 17 / 19 / 13 CMY / 19 CMY)
Adjustable Refresh Rate (68 presets from 900 – 25,000Hz)
6 Preset Dim Modes (Standard, Stage, TV, Architectural, Theatre and Stage 2)
Dim Speed Options (0.1s to 10s)
4 Dim Curves (Square, Linear, Inv. Squa and S. Curve)
4 Button Control Panel LCD Menu Display
RDM (Remote Device Management)
3/5pin DMX Input and Output
Locking Power Input and Output
USB Service Port
With Wired Digital Communication Network

SIZE / WEIGHT

Length: 16.6" (421.9mm)
Width: 14.18" (360.1mm)
Vertical Height: 19.29" (490mm)
Weight: 21.8 lbs. (9.9kg)

ELECTRICAL / THERMAL

AC 100-240V - 50/60Hz
420W Max Power Consumption
5°F to 113°F (-15°C to 45°C)
Power Linking: 2Pcs @ 110V / 5Pcs @ 240V

INCLUDED ITEMS

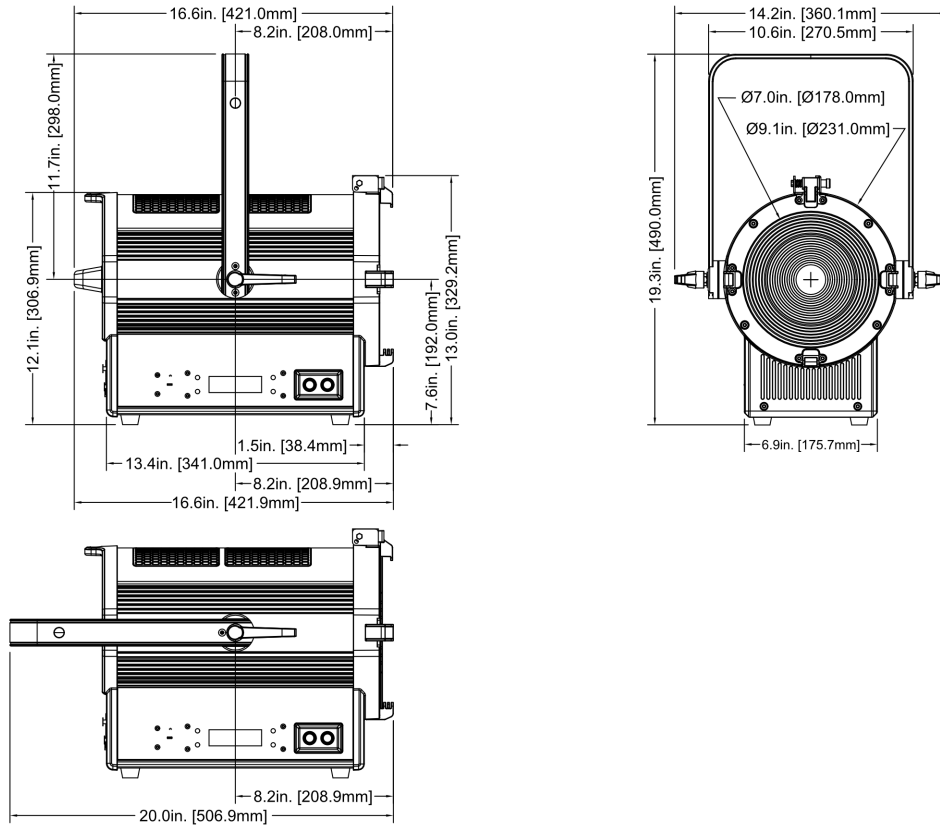
Barn Doors
Locking Power Cable
Two (2) Safety Cables

APPROVALS / RATINGS

CE I cETLus I IP20

DIMENSIONS

FIXTURE ONLY



BARNDOOR INSTALLED

(dimensions are the same as above, unless otherwise noted)

